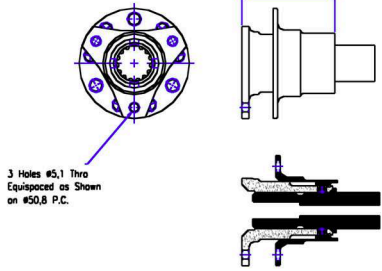


Mozzi staccavolante standard
Quick release steering boss

lifelife

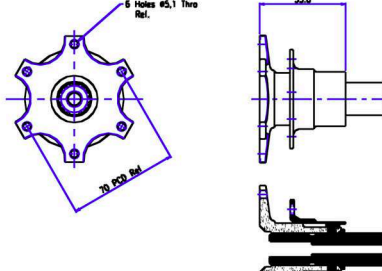


3 Holes #5,1 Thru
Equispaced as Shown
on #50,8 P.C.

53,5

Formula Car
410-100-001

This technical drawing shows the Formula Car steering boss. It includes a top view with three holes spaced 120 degrees apart on a 50.8mm pitch circle. A side view shows a diameter of 53.5mm. Below are two perspective views of the steering boss and its corresponding quick release arm.



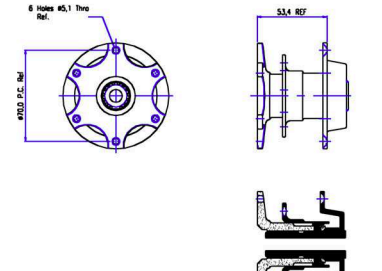
6 Holes #5,1 Thru
Ref.

70 P.C.D. Ref.

50,0

Touring Car
410-100-002

This technical drawing shows the Touring Car steering boss. It features six holes on a 70mm pitch circle diameter. The side view indicates a diameter of 50.0mm. Two perspective views show the steering boss and its quick release arm.



6 Holes #5,1 Thru
Ref.

#70,0 P.C. Ref.

53,4 REF

Group N/ Tuning
410-100-003 (Gold)
410-100-004 (Black)

This technical drawing shows the Group N/Tuning steering boss. It has six holes on a 70.0mm pitch circle diameter. The side view shows a diameter of 53.4mm. Two perspective views illustrate the steering boss and its quick release arm.