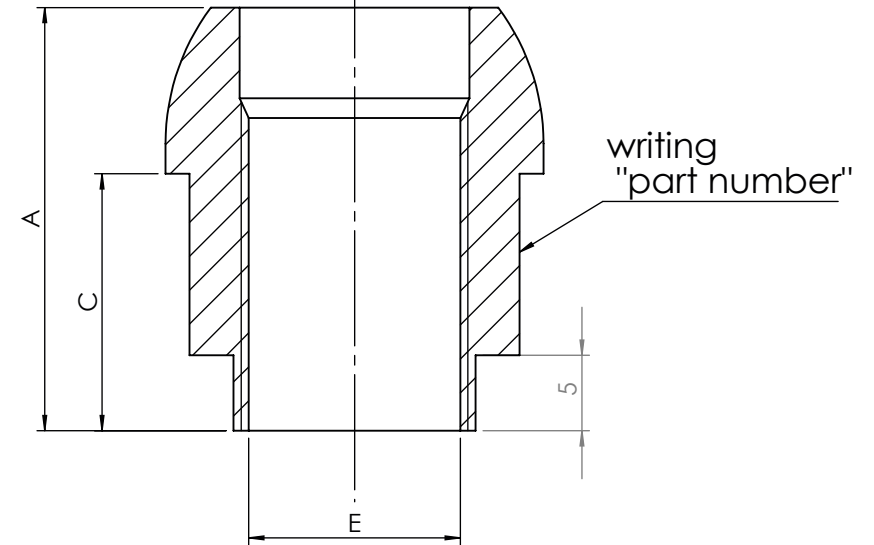


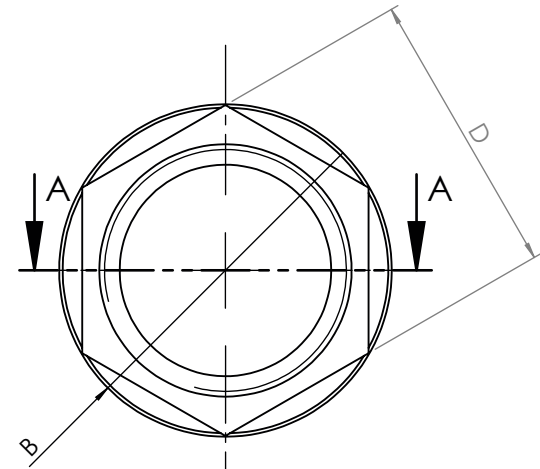
SEZIONE A-A



### SPHERICAL SEAT NUT

Part number	A	B	C	D	E	Material	Treatment
DADO5	28	25	17	19	14 X 1.5	11SMnPb37	Copper Plating
DADO7	27	25	17	17	12 X 1.25	11SMnPb37	Copper Plating
DADO8	27	25	15	17	12 X 1.25	11SMnPb37	Copper Plating
DADO19	27	25	17.5	17	12 X 1.5	11SMnPb37	Copper Plating
DAAL8	31	25	20	19	14 X 1.5	Ergal	Anodizing

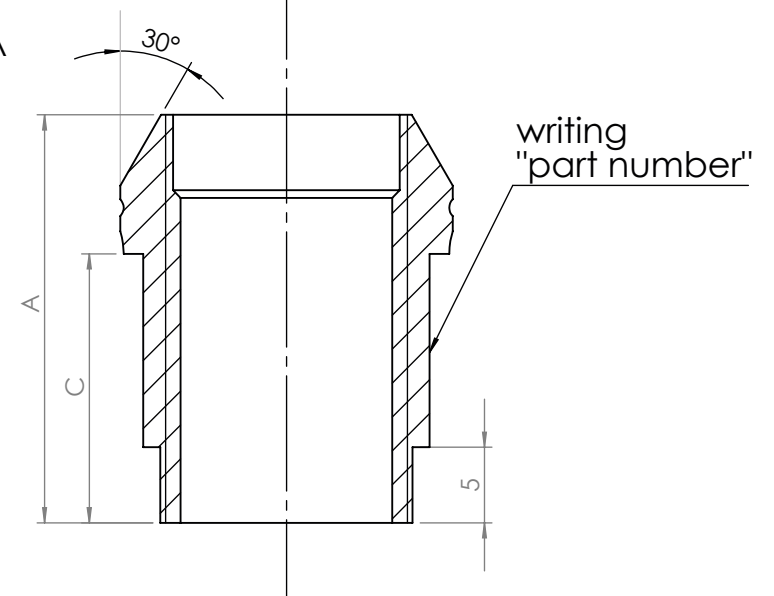
REV	DATE	DESCRIPTION	DESIGNED	CHECKED	APPROVED
0	04/04/2017	ORIGINAL VERSION	M. Lo Conte	G. MALABAILA	M. ERCOLE
PFC.	WEIGHT	MATERIAL	Treatment	SEE TABLE	
DESCRIPTION					
<b>SPHERICAL SEAT NUT</b>					



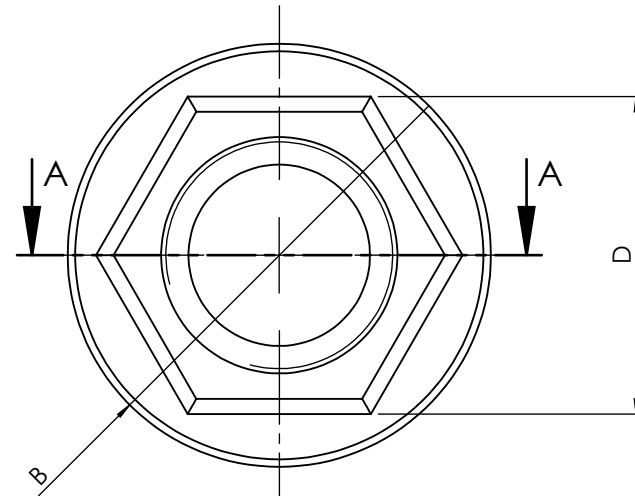
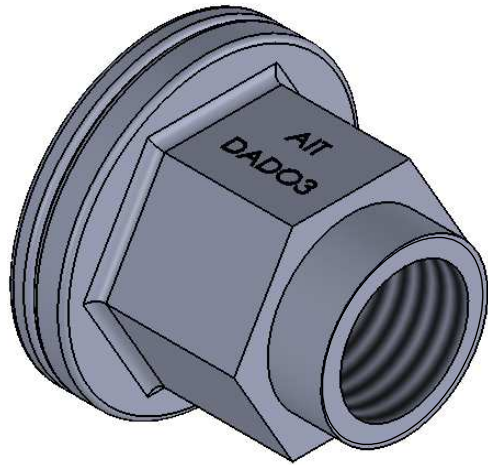
### SPHERICAL SEAT NUT

Part number	A	B	C	D	E	Material	Treatment
DADO	25	23	14	19	12 x 1.25	11SMnPb37	Copper Plating
DADO1	25	23	14	19	12 x 1.5	11SMnPb37	Copper Plating
DADO2	28	28	13	19	12 x 1.5	11SMnPb37	Copper Plating
DADO4	27	25	16	22	14 x 1.5	11SMnPb37	Copper Plating
DADO6	27	25	16	19	14 x 1.5	11SMnPb37	Copper Plating
DADO9	27	25	15	17	12 x 1.25	11SMnPb37	Copper Plating
DADO10	33	23	23	19	12 x 1.5	11SMnPb37	Copper Plating
DADO12	28.5	28	16	19	12 x 1.5	11SMnPb37	Copper Plating
DADO15	27	25	16	3/4"	1/2UNF	11SMnPb37	Copper Plating
DADO18	25	23	15.5	17	12 x 1.5	11SMnPb37	Copper Plating
DAAL	27	22	19	19	12 x 1.25	Ergal	Anodizing
DAAL1	27	22	19	19	12 x 1.5	Ergal	Anodizing
DAAL2	34	22	20	19	12 x 1.25	Ergal	Anodizing
DAAL3	34	22	20	19	12 x 1.5	Ergal	Anodizing
DAAL6	27	25	16	19	14 x 1.5	Ergal	Anodizing
DAAL11	28	28	13	19	12 x 1.5	Ergal	Anodizing
DAAL15	27	25	16	3/4"	1/2 UNF	Ergal	Anodizing

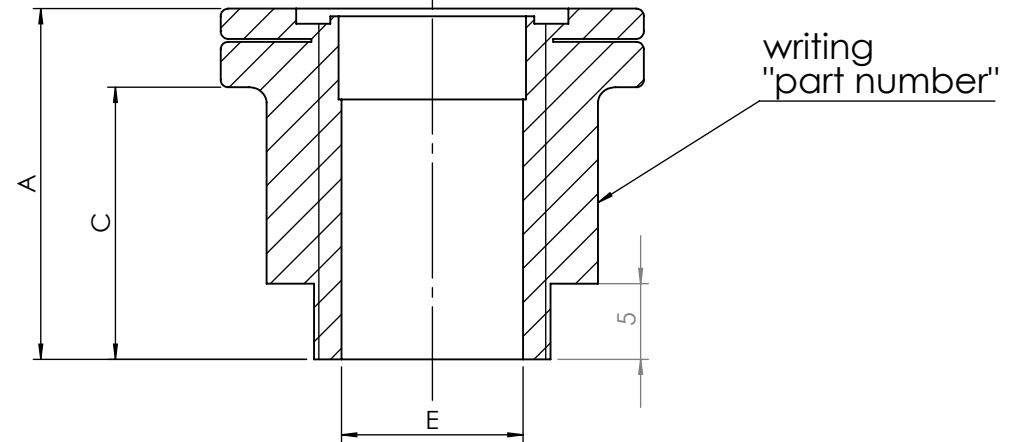
### SEZIONE A-A



0	04/04/2017	ORIGINAL VERSION	M. Lo Conte	G. MALABAILA	M. ERCOLE
REV	DATE	DESCRIPTION	DESIGNED	CHECKED	APPROVED
PFC.	WEIGHT	MATERIAL	SEE TABLE	Treatment	SEE TABLE
DESCRIPTION			<b>CONICAL SEAT NUT</b>		



SEZIONE A-A



**FLAT SEAT NUT**

Part number	A	B	C	D	E	Material	Treatment
<b>DADO3</b>	29	28	21	19	12 x 1.25	11SMnPb37	Copper Plating

0	04/04/2017	ORIGINAL VERSION	M. Lo Conte	G. MALABAILA	M. ERCOLE
REV	DATE	DESCRIPTION	DESIGNED	CHECKED	APPROVED
PPC.	WEIGHT	MATERIAL	Treatment		
		SEE TABLE	SEE TABLE		
DESCRIPTION					
<b>FLAT SEAT NUT</b>					