
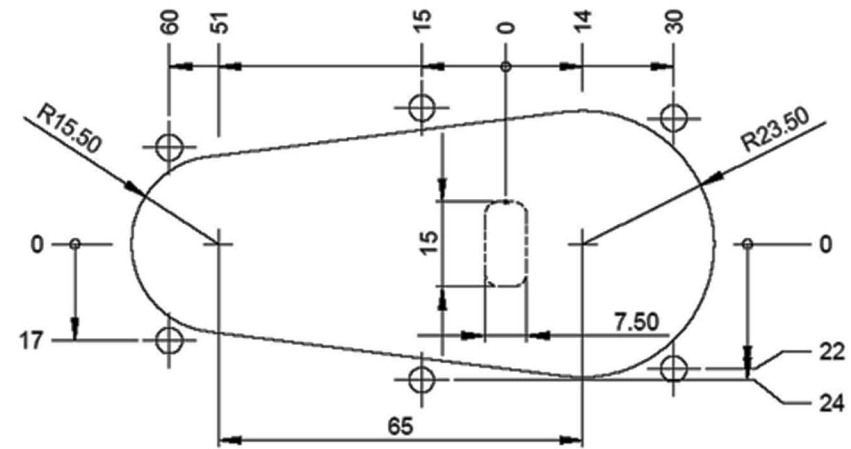
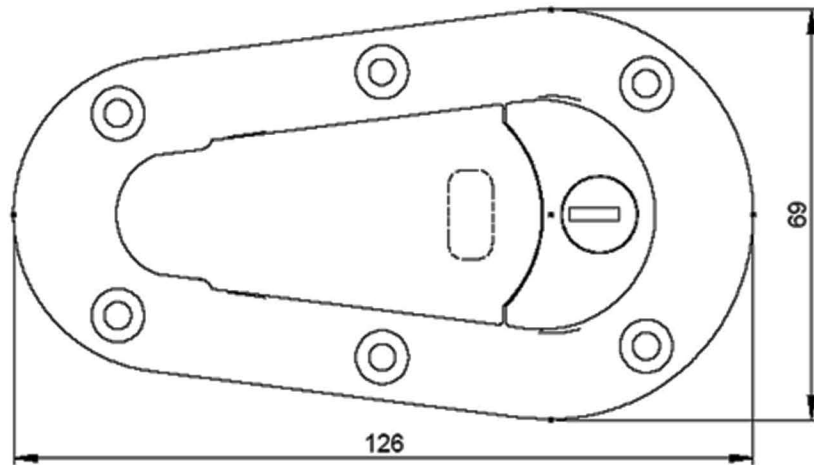


Straightness	—	Circularity	○	Profile of any line	⌒	Position	⊕
Cylindricity	∕	Parallelism	//	Profile of any surface	⌒	Run-out	↗
Concentricity	◎	Angularity	∠	Perpendicularity	⊥	Flatness	∕

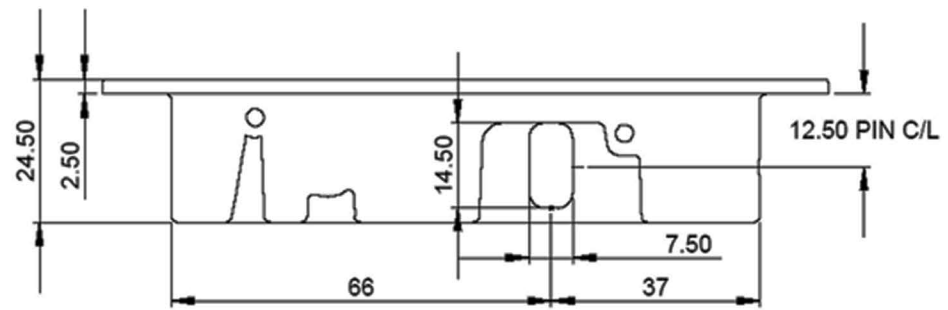

 DRAWN IN ACCORDANCE WITH BS 308

© THIS DOCUMENT IS CONFIDENTIAL AND THE DOCUMENT AND COPYRIGHT THEREON ARE THE PROPERTY OF SFC LTD. THE DOCUMENT AND ANY INFORMATION THEREIN MAY NOT BE USED, COPIED OR DISCLOSED TO ANY THIRD PARTY WITHOUT THE PRIOR WRITTEN AUTHORISATION OF SPECIALTY FASTENERS & COMPONENTS LTD.
 DO NOT SCALE & IF IN DOUBT ASK


ISSUE	MODIFICATION
A	RELEASE



Panel cut-out



Note: Not To Scale

	PROJECT No AeroCatch		MATERIAL		DRAWN WWatkins	TITLE AeroCatch 120 series Plus Flush Dimensions and Panel Cut-Out		
	NEXT ASSY	QTY	FINAL ASSY	QTY	TREATMENT			APPROVED
	FINISH UNLESS OTHERWISE STATED 1.6		TOLERANCES UNLESS OTHERWISE STATED X ±0.50MM X.X ±0.25MM X.XX ±0.12MM ANGLES ±0.5°		FINISH			SCALE NTS
						DATE	A4M	DRG No 120 Series